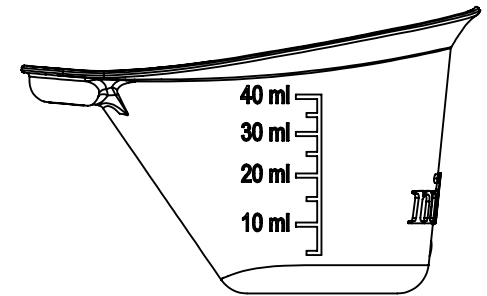
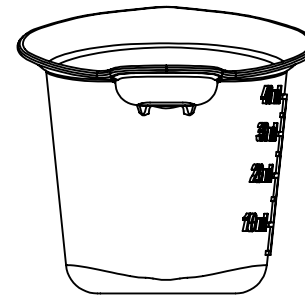
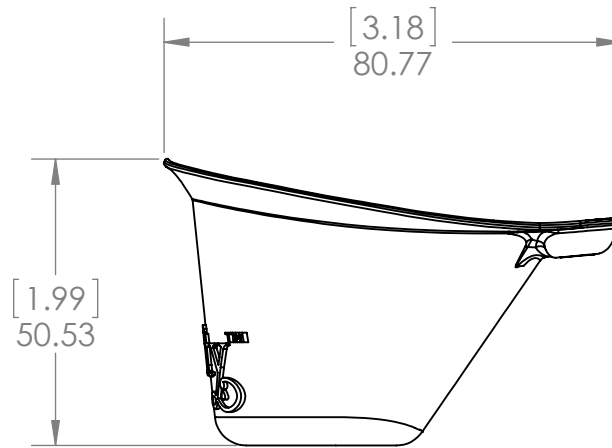
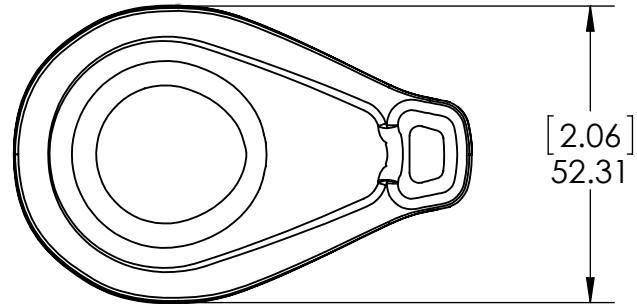


REVISION	DCO NUMBER	DESCRIPTION	DATE	INITIAL
A		INITIAL RELEASE	01/15/2016	JFB
B				
C				
D				



UNLESS OTHERWISE SPECIFIED:  
DIMENSIONS ARE GIVEN IN MILLIMETERS  
[ALTERNATE UNITS] ARE INCHES

LINEAR TOLERANCE:      ANGLE TOLERANCE:  
MM                          INCH                          DEGREES  
X=±.6                      [X]=±[.025]                      ±0.5°  
.X=±.25                    [.XX]=±[.010]  
.XX=±.13                   [.XXX]=±[.005]  
.XXX=±.025               [.XXXX]=±[.0010]

DO NOT SCALE DRAWING  
INTERPRET DRAWING PER ASME Y14.5M-1994

CONFIDENTIAL AND PROPRIETARY- This document and all information contained herein constitutes the confidential and proprietary information of Program for Appropriate Technology in Health (PATH) and is provided to you pursuant to a license Agreement executed by and between PATH and your Company. Use or dissemination of this document and/or the information contained herein which conflicts with the terms, limitations, conditions, rights or obligations of the License Agreement is strictly prohibited.

	NAME	DATE
DRAWN	JFB	01/15/2016
CHECKED		
ENG APPR.		
MFG APPR.		
Q.A.		
MATERIAL	TRANSLUCENT SILICONE, 70A DUROMETER	
FINISH		
CAD FILE	40ml Cup Concept 2016.1.05 - Proto 0.75	
SCALE 3:4	SHEET 1 OF 1	

PO Box 900922  
Seattle, WA 98109, USA  
Tel: 206.285.3500  
Fax: 206.788.2002  
engineering@path.org  
http://www.path.org

path

Program for Appropriate Technology in Health

TITLE  
**NIFTY CUP, 40 ML**

SIZE	DOCUMENT NO.	REV.
<b>A</b>	<b>40ml Cup Concept 2016.1.05 - Proto 0.75</b>	<b>A</b>